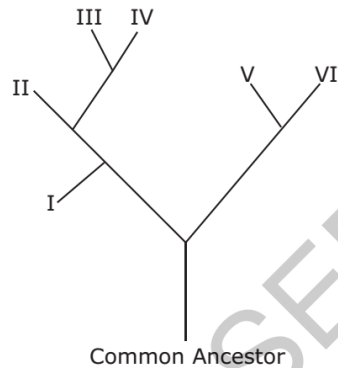


37 This diagram shows a cladogram of six species based on amino acid similarities.



Which two species are the **most closely** related?

- A I and II
- B II and IV
- C I and V
- D V and VI

17 What is the difference between the full classification of organisms and their scientific names?

- A The full classification of organisms and their scientific names vary in different countries.
- B The scientific names of organisms include the order and family of the organisms, but the full classification includes only the species name.
- C The full classification of organisms will include more categories of organisms than their scientific names.
- D The scientific names of organisms include a single nomenclature, but the full classification includes various nomenclatures.

14. This chart represents characteristics of four different plants.

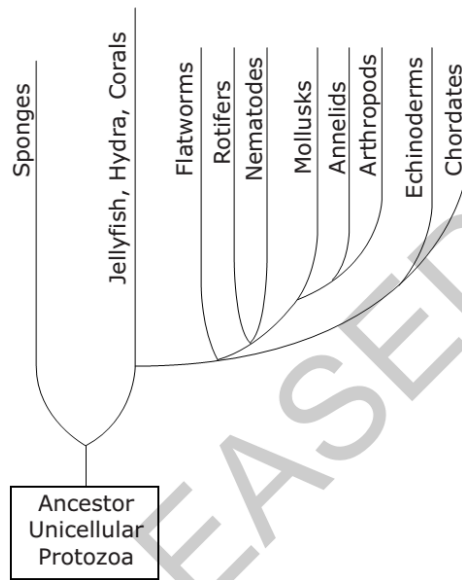
Characteristics of Four Different Plants

	Vascular Tissue	Seeds	Flowers	Cones
Plant 1	X	X		X
Plant 2	X			
Plant 3				
Plant 4	X	X	X	

Which plant is **most likely** a gymnosperm?

- A Plant 1
- B Plant 2
- C Plant 3
- D Plant 4

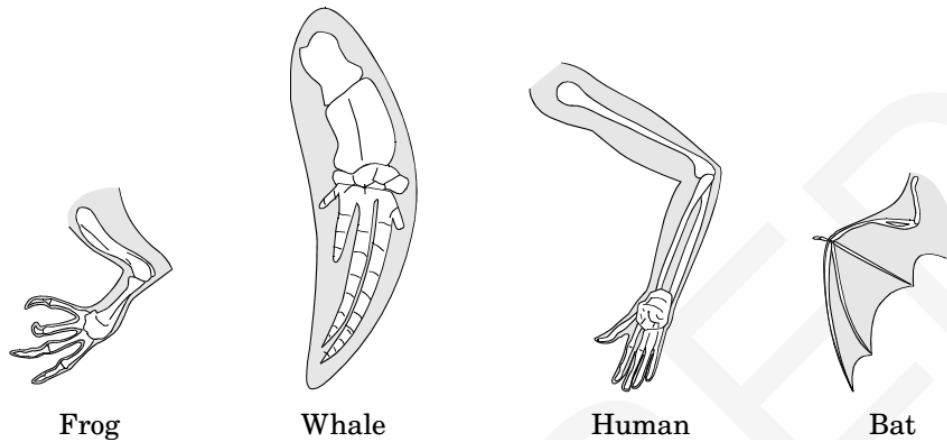
57 The diagram below shows a phylogenetic tree for animals.



Which two groups of organisms have the **most** genetic differences?

- A rotifers and nematodes
- B mollusks and annelids
- C mollusks and arthropods
- D echinoderms and chordates

6. This diagram represents the bone structures of the front limbs of four different animals.



What do the similarities of the structures suggest about these organisms?

- A They grow at the same rate.
- B They live in the same environment.
- C They live for the same length of time.
- D They evolved from a common ancestor.